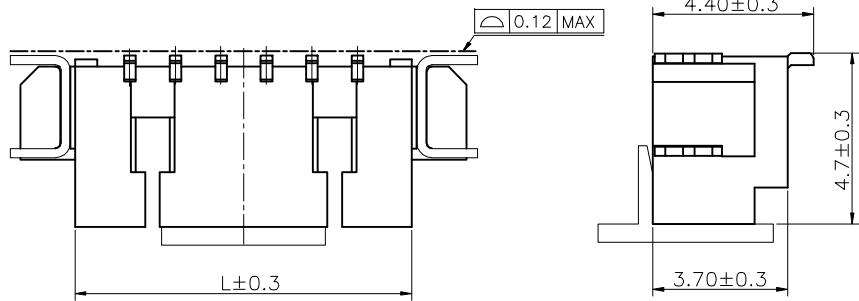


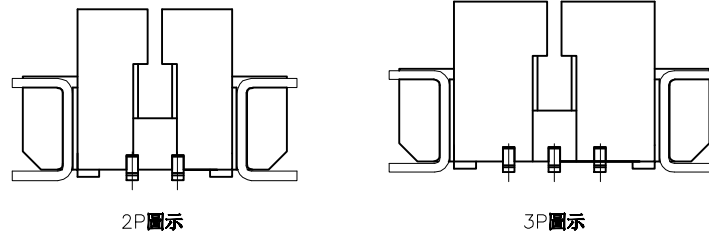
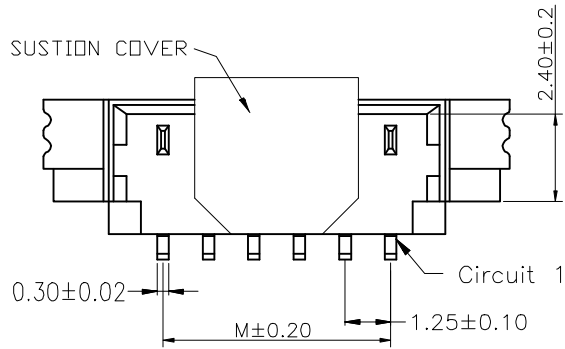
1 2 3 4 5 6 7 8 9

F  
E  
D  
C  
B  
A

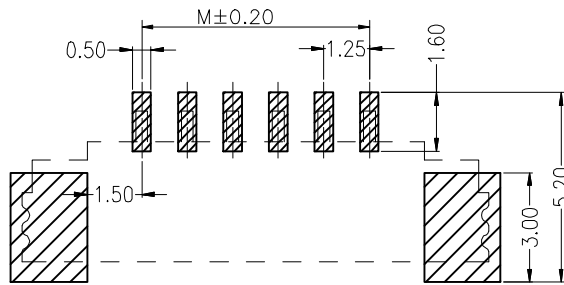
F  
E  
D  
C  
B  
A



Specifications  
 Current Rating:1Amp AC/DC  
 Voltage Rating:125V AC/DC  
 Contact Resistance:20mΩ Max.  
 Insulation Resistance:100MΩ Min.  
 Dielectric Withstanding Voltage:500VAC  
 Temperature Range:-40°C to +105°C  
 Materials  
 Contact Material:Bhosphor Bronze  
 Insulator Material:LCP UL 94V-0  
 All materials must meet GREENCONN hazardous substances control standards.



CIRCUITS	L	M
02	4.25	1.25
03	5.50	2.50
04	6.75	3.75
05	8.00	5.00
06	9.25	6.25
07	10.50	7.50
08	11.75	8.75
09	13.00	10.00
10	14.25	11.25
11	15.50	12.50
12	16.75	13.75
13	18.00	15.00
14	19.25	16.25
15	20.50	17.50



### Ordering Information

G WDC102 - XX XX A 012 C X A X  
 No. of Pins per Row 02~15      Standard Plating 01=Tin      Color 2=White      Standard Packing F=CAP+Tape&Reel

**格稜股份有限公司**  
**Greenconn Corporation**

REV. 01    UNIT. mm    SCALE. 1:1    PAGE. 1/1

GENERAL TOLERANCE	
X.±	X.±
.X'±	.X±0.25
.XX'±	.XX±0.15
.XXX'±	.XXX±0.10

DESIGNED: \_\_\_\_\_ DATE: \_\_\_\_\_  
 CHECKED: \_\_\_\_\_ DATE: \_\_\_\_\_  
 APPROVED: \_\_\_\_\_ DATE: \_\_\_\_\_

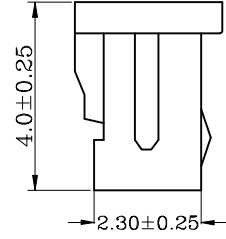
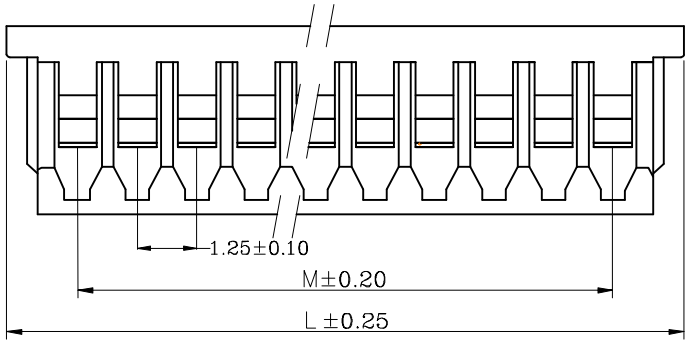
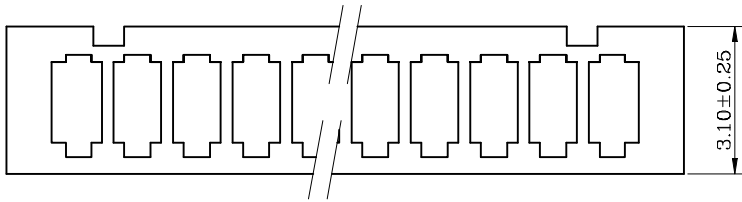
DWG. NO. GWDC102-CA12CA  
 PART NO. GWDC102-XXXXA012CXAX

TITLE. 1.25mm pitch Wafer

1 2 3 4 5 6 7 8 9

1 2 3 4 5 6 7 8 9

F  
E  
D  
C  
B  
A



NOTES:  
 CURRENT RATING:1A AC/DC.  
 VOLTAGE RATING:125V AC/DC  
 TEMPERATURE RANGE:-40°C~+105°C.  
 CONTACT RESISTANCE:20MΩ Max.  
 INSULATION RESISTANCE:100MΩ Min.  
 WITHSTANDING VOLTAGE:500V AC/MINUTE.  
 MATERIAL:NYLON 66.UL94V-0.

No of Pin/Row	Dimensions	
	M	L
02	1.25	4.25
03	2.50	5.50
04	3.75	6.75
05	5.00	8.00
06	6.25	9.25
07	7.50	10.50
08	8.75	11.75
09	10.00	13.00
10	11.25	14.25
11	12.50	15.50
12	13.75	16.75
13	15.00	18.00
14	16.25	19.25
15	17.50	20.50
16	18.75	21.75

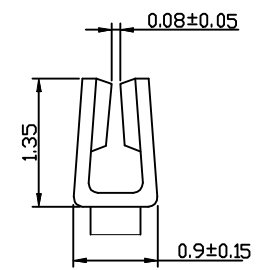
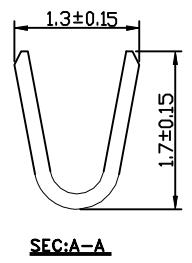
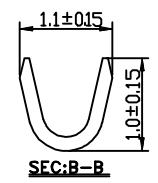
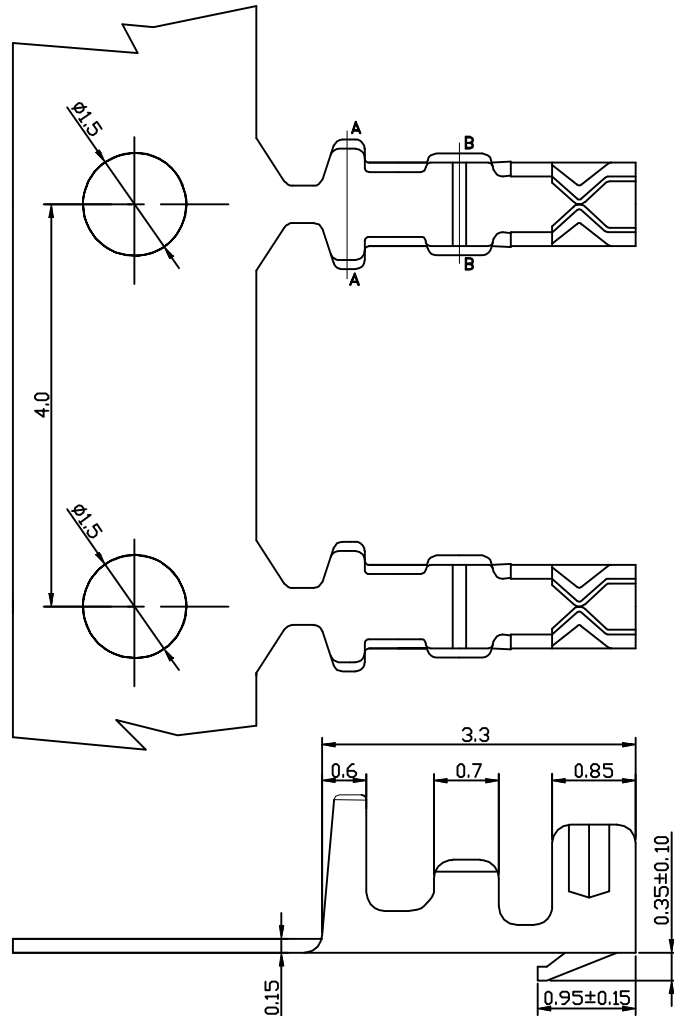
GHD321 - XX A X  
 No. of Pin/Row 02 ~ 16  
 Material/Color M=Nylon66/White

 Website:www.greenconn.com E-mail:sales@greenconn.com	3RD.ANG PROJ. 	GENERAL TOLERANCE		DESIGNED:	DATE:	DWG. NO. GHD321-HA	TITLE. 1.25mm pitch housing
		X:±5.0'	X.±				
REV. A	UNIT. mm	SCALE. 1:1	PAGE. 1/1	APPROVED:	DATE:		
				.X'±3.0'	.X±0.30		
				.XX'±2.0'	.XX±0.25		
				.XXX'±1.0'	.XXX±0.15		

1 2 3 4 5 6 7 8 9

1 2 3 4 5 6 7 8 9

F  
E  
D  
C  
B  
A



**Specifications:**  
**1. Material: Phosphor Bronze**  
**2. Wire Range: AWG#28-32**  
**3. Insulation O.D.: 1.0mm(Max)**

**Ordering Information**

**GRD112 - 01 XX AB**

Standard Plating  
01=Tin

Materials  
AB=Phosphor bronze

<p>Website: www.greenconn.com E-mail: sales@greenconn.com</p>			3RD.ANG PROJ. 	GENERAL TOLERANCE		DESIGNED: CHECKED: APPROVED:	DATE: DATE: DATE:	DWG. NO.	TITLE.
				X. 停 /	X. ?			GRD112-T1	
REV. A	UNIT. mm	SCALE. 1:1	PAGE. 1/1	.X 停 /	.X?.30	PART NO.		<b>1.25mm Pitch terminal</b>	
				.XX 停 /	.XX?.25	GRD112-01 XX AB			
				.XXX 停 /	.XXX?.15				

1 2 3 4 5 6 7 8 9