

4CM CiTiceL[®]

Carbon Monoxide (CO) Gas Sensor
Part Number: 2112B2055R

Key Features & Benefits:

- Fast response and recovery time
- Superior long-term performance at temperature and humidity extremes
- Meets sensor requirements described in AQ6205-2006 and EN45544-2000



Technical Specifications

MEASUREMENT

Operating Principle	3-electrode electrochemical
Detection Range	0 to 2000 ppm
Filter	To remove acid gases <small>See note on Page 2</small>
Filter Capacity	> 20000 ppm hours
Sensitivity	70 ± 15 nA/ppm
Response Time (T90) (for concentrations up to 500 ppm)	≤10 s at 20°C
Recovery Time (from 100ppm down to <2 ppm)	< 90 s (typically < 30 s)
Baseline Offset (clean air)	< ±2 ppm CO equivalent
Baseline Shift:	
-40°C to -20°C	< ±3 ppm CO equivalent
-20°C to +20°C	< ±2 ppm CO equivalent
+20°C to +55°C	Typically < +4 ppm (+9 ppm max.)
Repeatability	< ±2% CO equivalent
Linearity	Linear up to 2000 ppm

ELECTRICAL

Resolution (Electronics dependent)	<1 ppm typical
Recommended Load Resistor	5 Ω
Bias Voltage	Not required

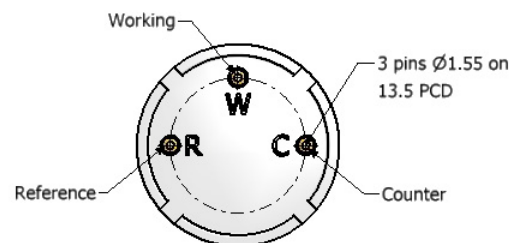
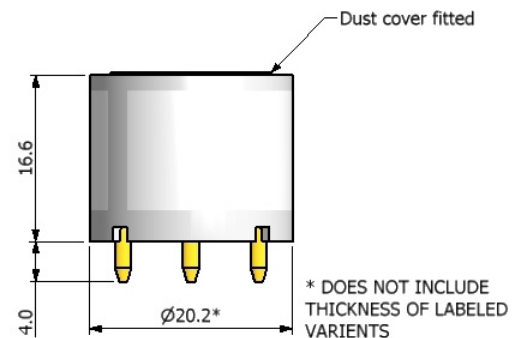
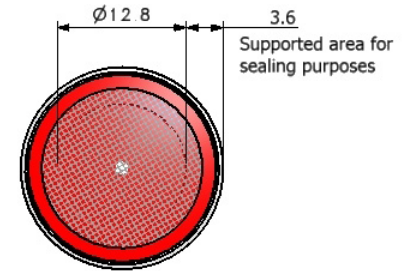
MECHANICAL

Housing Material	Noryl 110
Pin Material	Gold over nickel plated brass
Weight	5 g (nominal)
Orientation Sensitivity	None

ENVIRONMENTAL

Intended Use	Portable detectors for most Life Safety applications
Operating Temperature Range	-40°C to +55°C <small>See Characterisation Note</small>
Temperature Coefficient:	
at -40°C	45 to 65% of signal w.r.t. +20°C
at -20°C	73 to 82% of signal w.r.t. +20°C
at +55°C	105 to 111% of signal w.r.t. +20°C
Operating Pressure Range	800 to 1200 mbar
Operating Humidity Range	15% RH to 95% RH non-condensing

Product Dimensions



All dimensions in mm

All tolerances ±0.15 mm unless otherwise stated

IMPORTANT NOTE:

Connection should be made via recommended mating parts only. Soldering to the sensor will result in damage and invalidate the warranty.

All performance data is based on conditions at 20°C, 50% RH and 1013 mBar, using City Technology recommended circuitry and flow rates.

Temperature data gathered on a sample of 144 sensors. Data average ± 4.5 standard deviations

INTRINSIC SAFETY DATA

Maximum at 2000 ppm	0.2 mA
Maximum o/c Voltage	1.3 V
Maximum s/c Current	<1.0 A

LIFETIME

Long Term Output Drift	< 5% per annum
Recommended Storage Temp	0°C to +20°C in sealed container
Expected Operating Life	24 months in air
Storage Life	6 months in original packaging
Standard Warranty	24 months from date of despatch

Filter Information

Activated carbon cloth filter with high surface area:

- Removes acid gases such as SO₂, NO₂ & H₂S
- Protects from short-term (<1000 ppm hours) exposure to alcohols such as Methanol, Ethanol, & IPA

Cross Sensitivity Table

Whilst CiTiceLs are designed to be highly specific to the gas they are intended to measure, they will still respond to some degree to various gases. The table below is not exclusive and other gases not included in the table may still cause a sensor to react.

Gas	Concentration Used (ppm)	Reading (ppm CO)
Acetylene (C ₂ H ₂)	100	88
Ethylene (C ₂ H ₄)	100	97
Hydrogen (H ₂)	100	< 28
Nitric Oxide (NO)	48.6	14
Nitrogen Dioxide (NO ₂)	19.5	<0.5
Chlorine (Cl ₂)	13.7	<0.5
Ethanol (C ₂ H ₅ OH)	200	0
Hydrogen Sulfide (H ₂ S)	50	0
Sulfur Dioxide (SO ₂)	20	0
Ammonia (NH ₃)	20	0

The cross-sensitivity values quoted are based on tests conducted on a small number of sensors. They are intended to indicate sensor response to gases other than the target gas. Sensors may behave differently with changes in ambient conditions and any batch may show significant variation from the values quoted.

Poisoning

CiTiceLs are designed for operation in a wide range of environments and harsh conditions. However, it is important that exposure to high concentrations of solvent vapours is avoided, both during storage, fitting into instruments, and operation.

When using sensors with printed circuit boards (PCBs), degreasing agents should be used before the sensor is fitted. Do not glue directly on or near the CiTiceL as the solvent may cause crazing of the plastic.

Data Matrix

Type: 2D (ECC 200) Data Matrix Code

Compliance: ISO 16022 Standard (Grades A - D)

Format: **AAAABBBBBBBBCCCCCCCCDDDDDDDEEEE**

AAAA = Gas Type

BBBBBBB = Serial Number

CCCCCCCCC = Part Number

DDDDDD = Date of Manufacture (*expressed as yymmdd*)

EEEE = Sensitivity (*in nA/ppm*)

SAFETY NOTE

This sensor is designed to be used in safety critical applications. To ensure that the sensor and/or instrument in which it is used, are operating properly, it is a requirement that the function of the device is confirmed by exposure to target gas (bump check) before each use of the sensor and/or instrument. Failure to carry out such tests may jeopardize the safety of people and property.

Every effort has been made to ensure the accuracy of this document at the time of printing. In accordance with the company's policy of continued product improvement City Technology Limited reserves the right to make product changes without notice. No liability is accepted for any consequential losses, injury or damage resulting from the use of this document or from any omissions or errors herein. The data is given for guidance only. It does not constitute a specification or an offer for sale. The products are always subject to a programme of improvement and testing which may result in some changes in the characteristics quoted. As the products may be used by the client in circumstances beyond the knowledge and control of City Technology Limited, we cannot give any warranty as to the relevance of these particulars to an application. It is the clients' responsibility to carry out the necessary tests to determine the usefulness of the products and to ensure their safety of operation in a particular application.

Performance characteristics on this data sheet outline the performance of newly supplied sensors. Output signal can drift below the lower limit over time.